

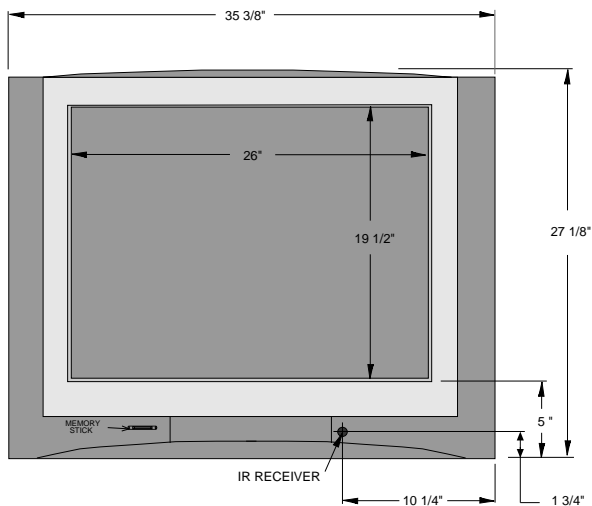
SONY

**KV-32HS500
KV-32HV600**

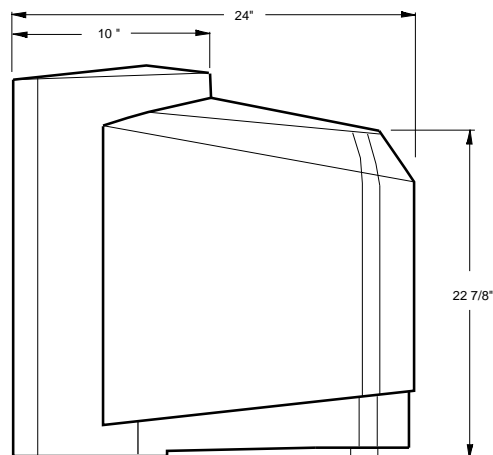
DESCRIPTION: 32" Wega® POWER
 DIMENSIONS Monitor/Receiver REQUIREMENTS 120VAC
 (WHD): 35 3/8" x 27 1/8" x 24" POWER 60Hz
 WEIGHT: 176 lbs 8 oz CONSUMPTION: 200w
1w(stby)

RM-Y186 REMOTE CONTROL

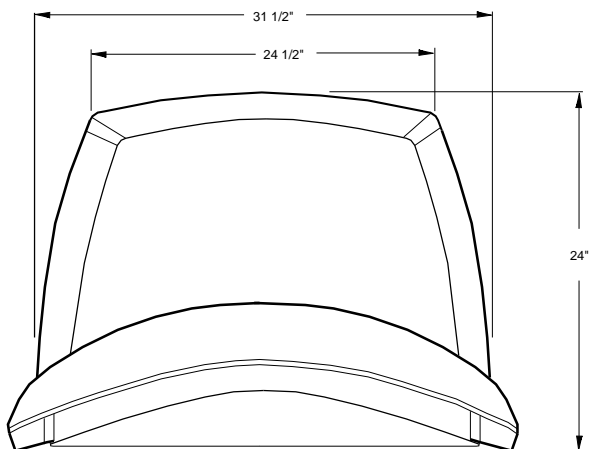
FRONT VIEW



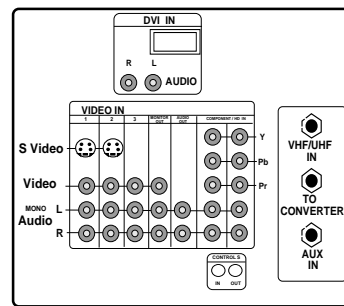
SIDE VIEW



TOP VIEW



JACK PACK



SU-32HV1 OPTIONAL STAND

NOTE:
 WHERE THERE ARE CLOSE TOLERANCES INVOLVED IN CABINET BUILDING OR APPLICATIONS WHICH REQUIRE A GREAT DEGREE OF PRECISION WE RECOMMEND THAT THE PRODUCT ITSELF BE USED TO MAKE THE ACTUAL MEASUREMENTS. SONY WILL NOT BE RESPONSIBLE FOR INACCURACIES IN THE DESIGN OR MANUFACTURE OF ENCLOSURES .